



# SOLARAI EB2

## Features

The Solarai EB2 controller is a BACnet MS/TP device that independently controls 2 motorized devices in a PLUS or GROUP level control network. It is designed to control roller shades, Venetian blinds or operable louvers and vents.

The EB2 accepts up to 6 contact closure inputs which can be used to add wall switches, A/V signals, BMS inputs or any other system or device with contact closure outputs to the control network.

It can be purchased in a molded plastic enclosure with integrated Hirschmann plugs or in a standard NEMA 1 metal enclosure.

### Scalable

Intelligence is distributed to each controller, allowing the system to scale to any size without the danger of a central point of failure.

### Programmable

USB Port allows for simple configuration.

### Ease of Installation

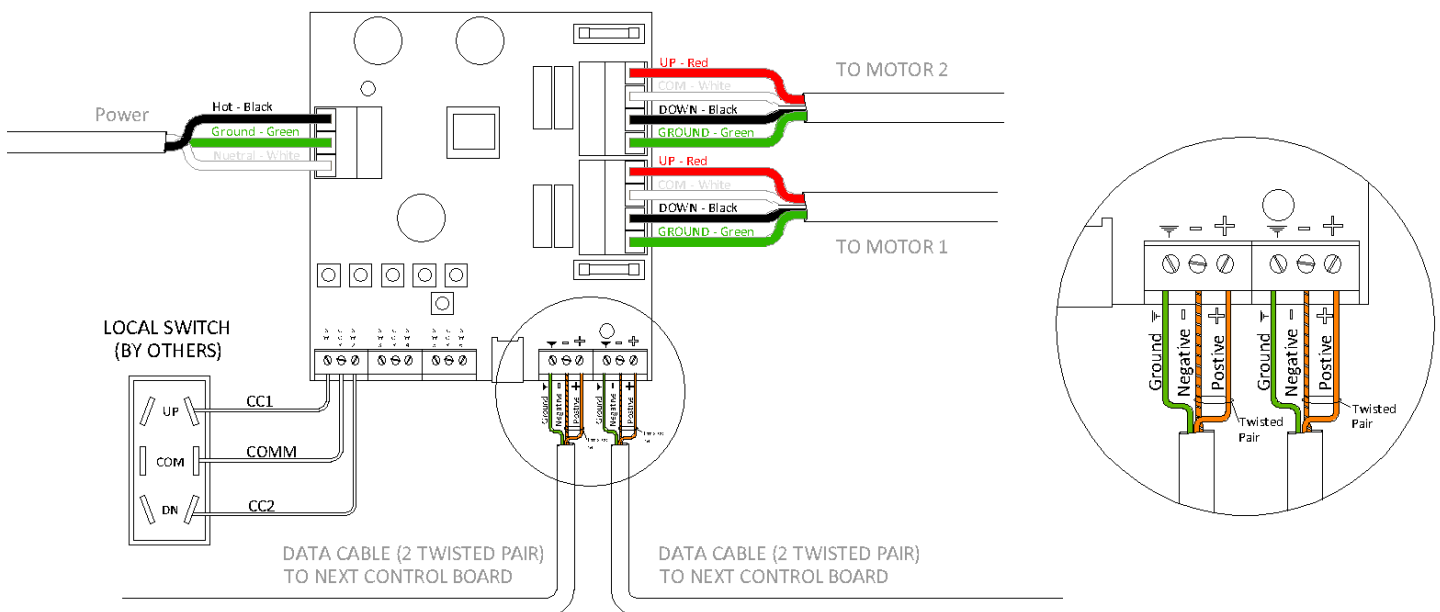
Quick connect plugs ensure fast and simple installation.

### Flexible

Allows for reconfiguration of the control system without the need to alter wiring.

### Interoperable

Native BACnet controller operates in any BACnet MS/TP network.



Feature	Description
System Type	Venetian Blinds, Roller Shades, Operable Louvres
Solarai Compatibility	PLUS Level Control, GROUP Level Control
Motor Outputs	2 Motor Output @ Supply Voltage, Maximum 5A per Output
Inputs	6 Independent Contact Closures, USB
Communication	BACnet MS/TP
Integration Compatibility	BACnet MS/TP, Contact Closure
Supply Voltage	110-240 VAC at 50-60 Hz
Output Voltage	110-240 VAC at 50-60 Hz, Matched to Supply
Warranty	2 Year Standard Warranty - Extended Warranty Options Available
Environmental	0-55 °C (32-131 °F) 0-95% RH, Non-condensing
Certification	Certified to CAN/CSA Standard C22.2 No. 247, Conforms to ANSI/UL Standard 325
Enclosure Type	NEMA 1 - 6"x6"x4" (150x150x100mm), Molded Plastic, Custom Pre-Wired Cabinet
Network Wiring	2 Twisted Pair + Ground Suitable For RS485 Communication
Motor Output Wiring	3 Conductor + Ground cable, 10 AWG Max (14 AWG Max in Plastic Enclosure)
Supply Voltage Wiring	2 Conductor + Ground Cable, 10 AWG Max (14 AWG Max in Plastic Enclosure)
Max Number of Devices Per Network	127
Max Total Network Distance	2000 ft (600 m)
Environmental Certification	RoHS Compliant